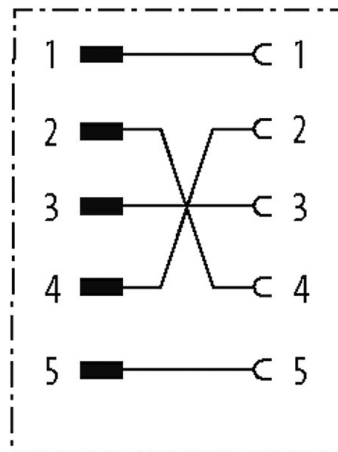


adaptor M12 male/ M12 female 5p.

Adapter

Male - female

M12 – M12, 5-pole (circuit diagram)

Illustration

Product may differ from Image

Form

Form 42241

Technical Data

Operating voltage	max. 125 V AC/DC
Operating voltage (only UL listed)	30 V AC/DC
Rated surge voltage	1.5 kV
Operating current per contact	max. 4 A
Material group	IEC 60664-1, category I
Coding	A-coded
Locking of ports	Screw thread (M12×1 mm) recommended torque 0.6 Nm, self-securing
Protection	IP67 inserted and tightened (EN 60529)
Locking material	Zinc die casting, matte nickel plated
Material	PUR

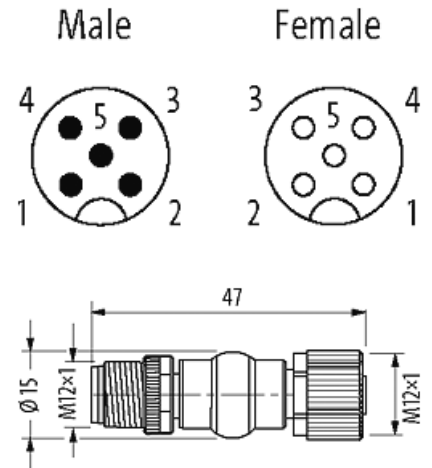
General data

Standards	DIN EN 61076-2-101 (M12)
Pollution Degree	3
Temperature range	-25...+85 °C

Test isolation voltage 0.8 kV eff/rms

Commercial data

country of origin	DE
customs tariff number	85366990
EAN	4048879599634
eClass	27143423
Packaging unit	1

Sketch

Product may differ from Image